

INPHENIX

Swept Light Source

Part Number: IPSWM0802-0318

Date: October 11, 2013

1. Configuration

IPSWM0802-0318

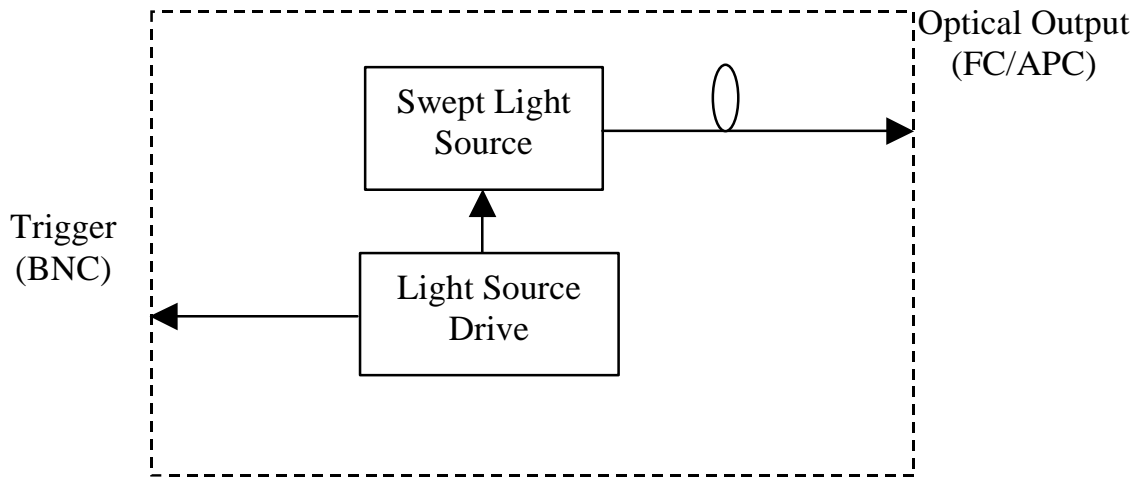


Figure 1 Configuration of IPSWM0802-0318

2. General Condition

Item	Min.	Typical	Max	Unit
Power supply	100	-	240	VAC
Power consumption	-	30.0	50.0	W
Operating Temperature	15	25	50	°C
Operating Humidity	30	60	90	%
Storage Temperature	-20	-	+65	°C
Humidity	10	-	~95	%

INPHENIX

3. Optical characteristics

Items	Specifications			Unit	Notes
	Min.	Typ.	Max.		
Center Wavelength (nm)	840	850	860	nm	@25°C and CW. Connectors are included.
Wavelength Scan Range @-10dB cut off	-	50	-	nm	
Average Optical Output Power	-	5.0	-	mW	
Scan Frequency	10~500			Hz	.
Wavelength Repetition Rate (Forward + backward)	20~1000			Hz	
Coherence Length*	-	5	-	mm	
Fiber Type	HI780 or equivalent				
Optical Output type	FC adaptor				
Connector Type	FC/APC				

* Coherence length is defined as the path length mismatch at a single sided displacement (from match to mismatch point only) in Mach-Zehnder interferometer that results in the fringe visibility being reduced by 6dB.

3. Electrical characteristics

Item	Specifications			Unit	Notes
	Min.	Typ.	Max.		
Scan Waveform	Linear trigonal			-	See Figure 2 in detail
Scan Trigger (FSYNC)	10~500			Hz	
V _{OH} of TTL input/output	3.80	-	-	V	For scan trigger.
V _{OL} of TTL input/output	-	-	1.02	V	
Electrical Trigger Signals Connector Type	BNC connector			-	

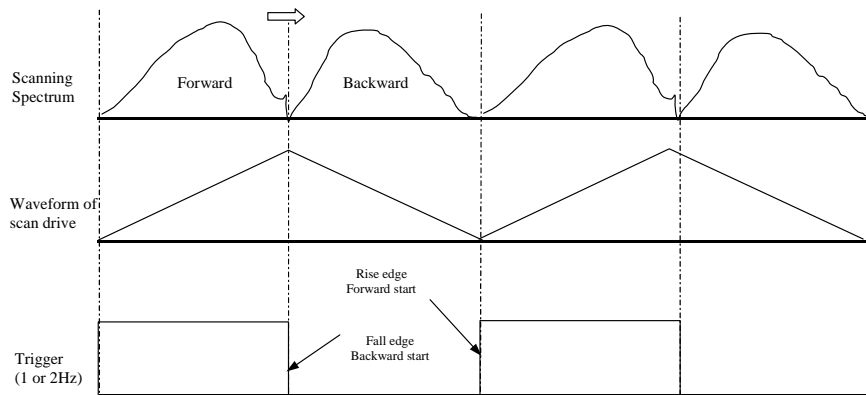
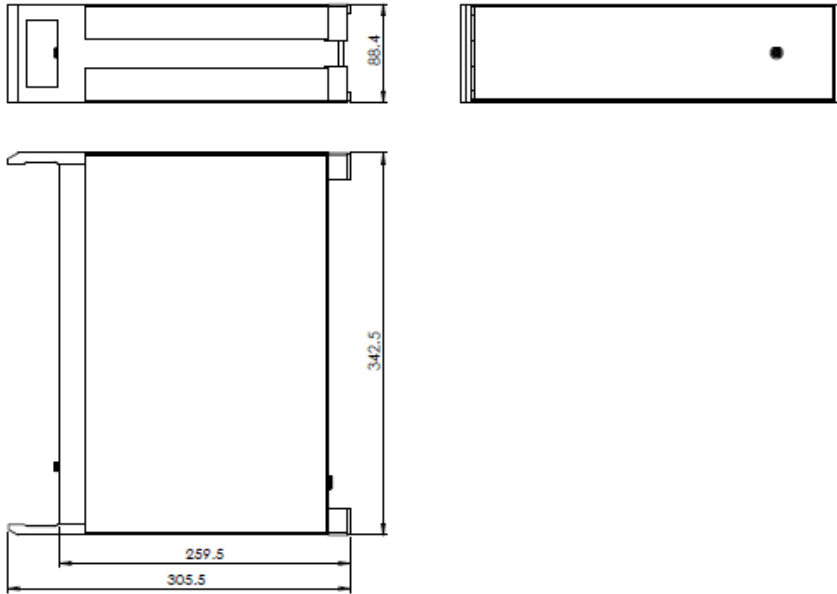


Figure 2 Timing and waveform of scan drive of IPSWM0802-0318

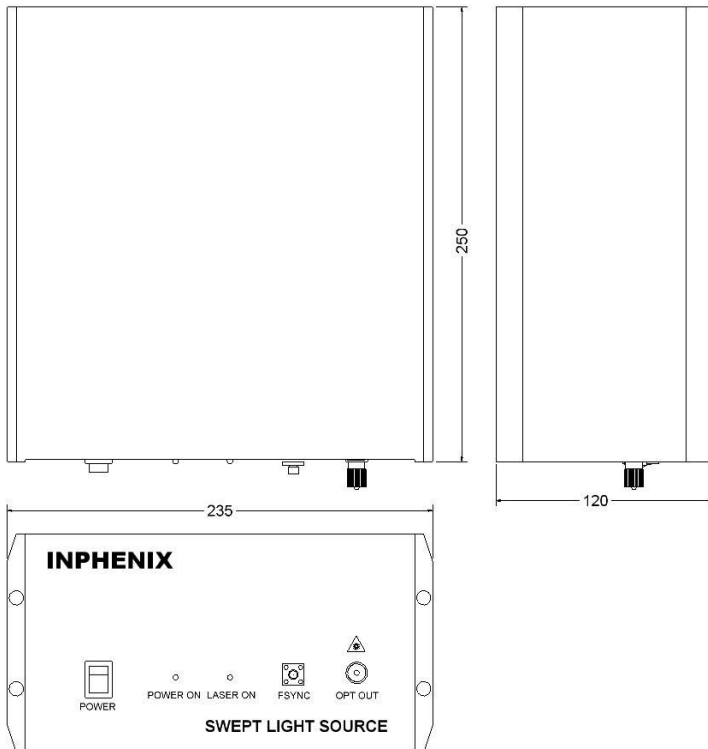
INPHENIX

4. Mechanical Specifications

Mechanical Drawing of 340mm (W) x 260mm (D) x 90mm (H) Case Type

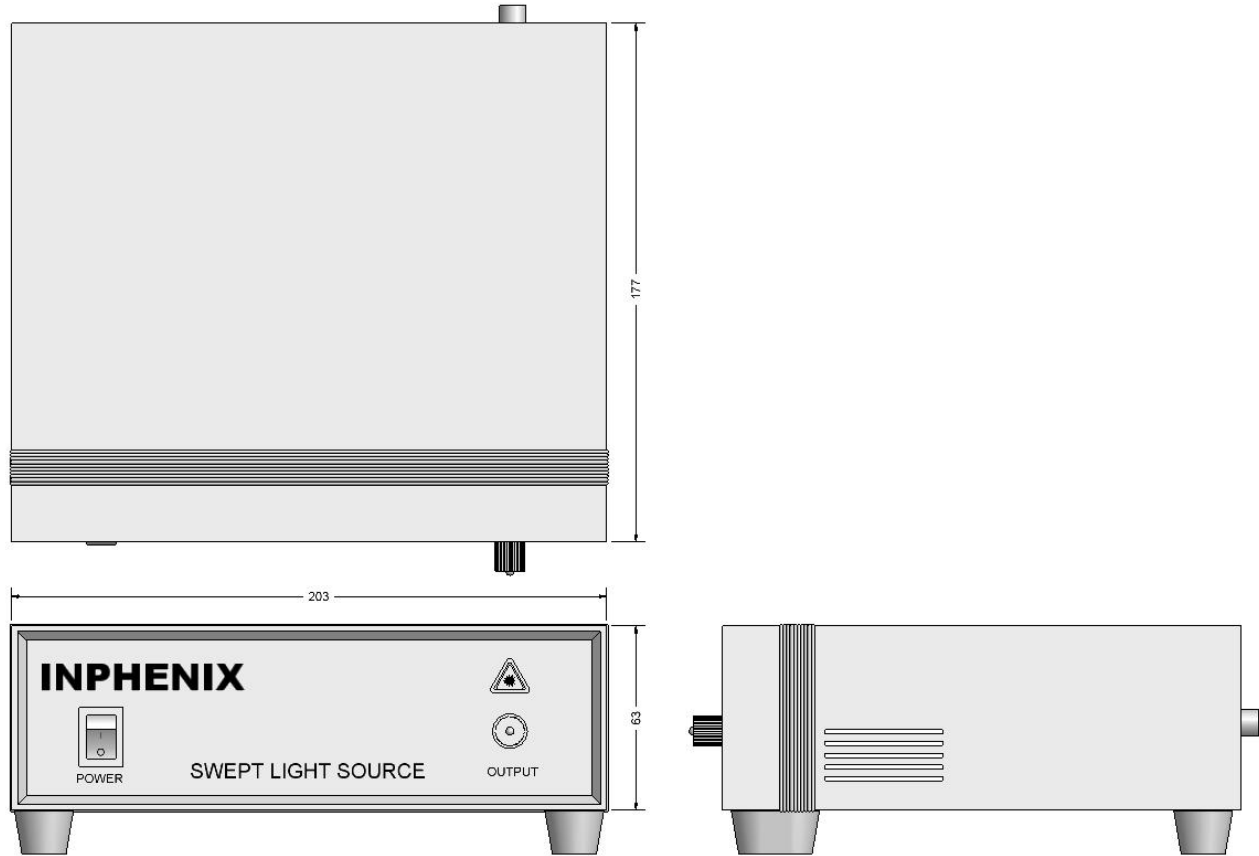


Mechanical Drawing of 235mm (W) x 250mm (D) x 120mm (H) Case Type



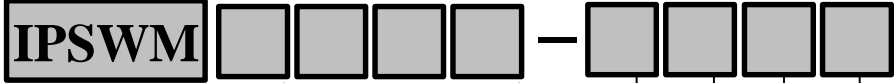
INPHENIX

Mechanical Drawing of 205mm(W)×60mm(H)×175mm(D) Case Type



INPHENIX

5. Part Numbering Structure of Swept Light Source desktop



Model Number —————

08**: 800~890nm window
 10**: 1010~1090nm window
 13**: 1300~1390nm window
 15**: 1500~1590nm window

Output Type —————

0-FC Adaptor
 1-Pigtail fiber

Connector Type —————

0-No Connectors
 3-FC/APC 4-FC/UPC
 7-SC/APC 8-SC/UPC

Fiber Type —————

1-900 μm SM Fiber
 2-900 μm PM Fiber

Case Size —————

6- 235×250×120mm case
 7- 205×175×60mm case
 8- 340×260×90mm case
 9- 450×300×90mm case

Example: IPSWD0802-0316: 850nm-type Swept Light Source desktop in 235×250×120mm case with FC adaptor output, 900um SM fiber with FC/APC connector.